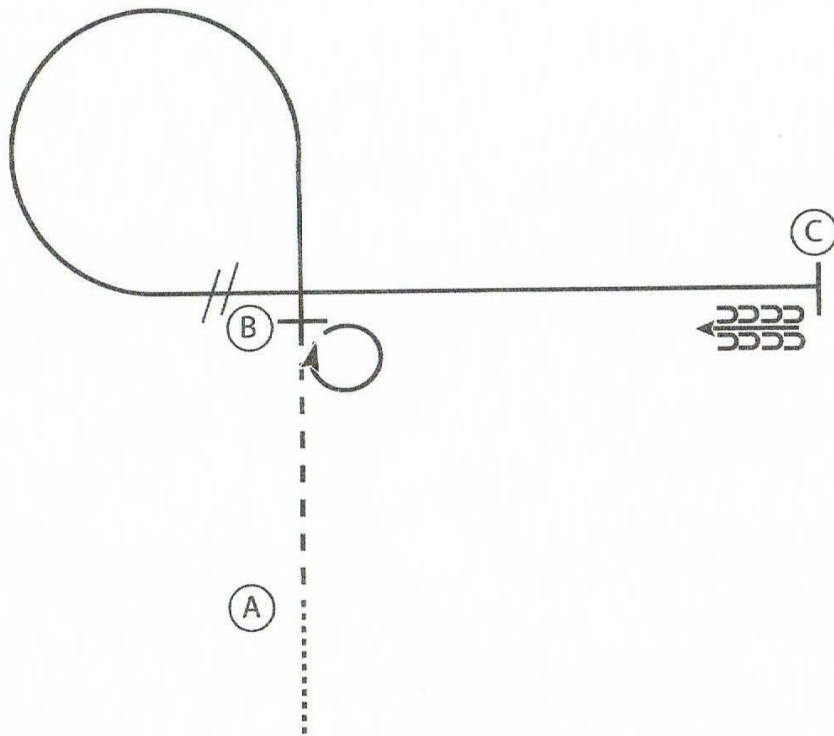


AQHA Western Horsemanship  
Amateur and Youth

The Dutch Championship 2009



1. Walk to A
2. At A jog to B
3. Stop at B and perform a 360 degree turn to the right
4. Lope a circle to the left
5. At B perform a lead change and continue to C
6. At C stop and back 5 steps

|              |           |
|--------------|-----------|
| Walk         | -----     |
| Jog          | - - - - - |
| Extended Jog | — — — —   |
| Lope         | —————     |
| Leg Yield    |           |
| Lead Change  | ↗         |
| Back         | ←←←←←     |
| Marker       | ⊙ (B)     |
| Sidepass     | ←- - - -  |