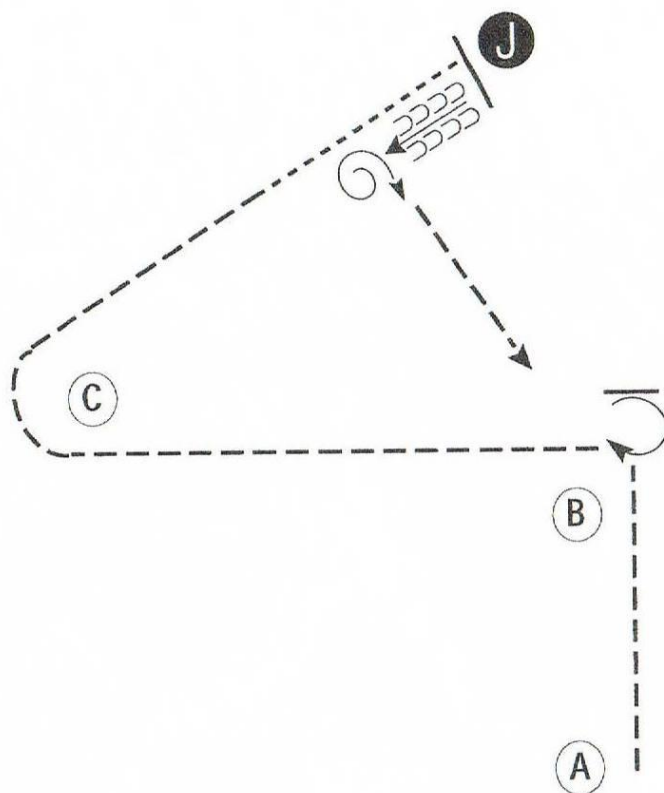


AQHA Showmanship at Halter
Amateur and Youth

The Dutch Championship 2009



Be ready at A.

1. Trot from A past B.
2. Stop and perform 270 degree turn.
3. Trot around C. Break to a walk half way to the Judge.
4. Walk to Judge, stop and set up for inspection.
5. When dismissed back one horse length.
6. Perform a 450 degree turn and trot to the line-up or follow the instructions of your ring steward.

Walk	-----
Trot	-----
Back	← 5555
Marker	⊙ B
Judge	● J